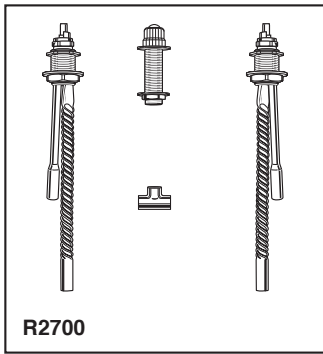


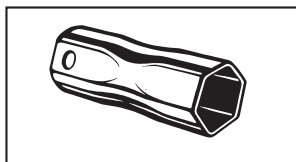
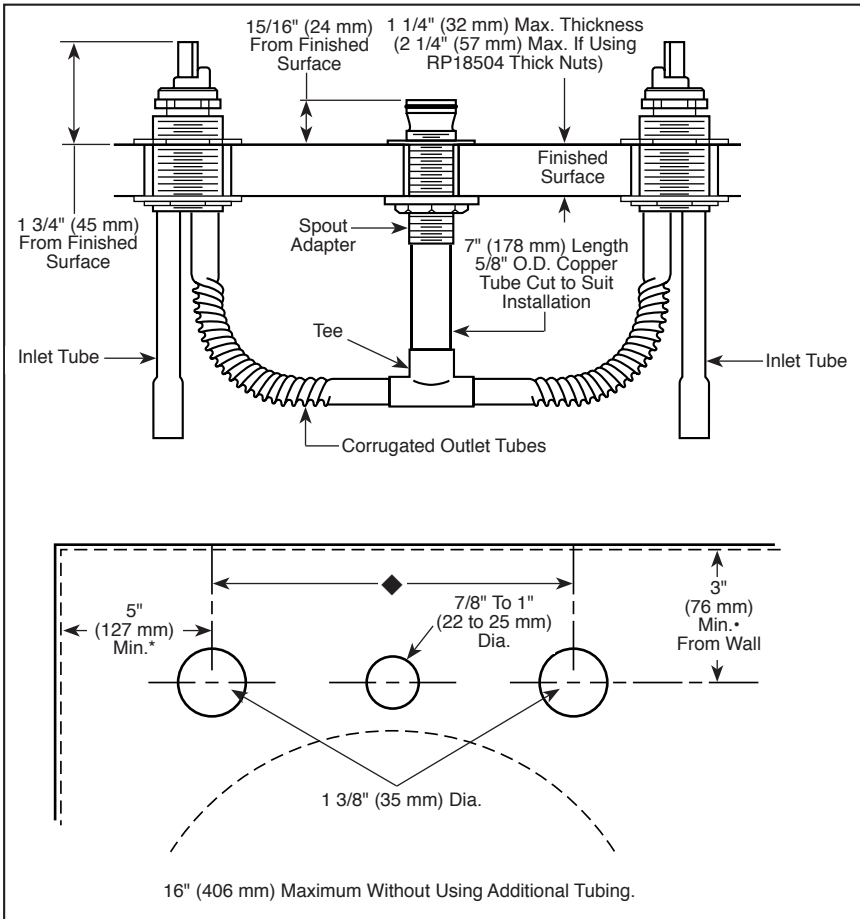


ROMAN TUB/WHIRLPOOL FAUCET ROUGH-IN KIT

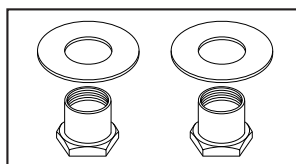


Submitted Model No.: _____

Specific Features: _____



RP16867
*End valve adjustment wrench (for R2700).



RP18504
*Thick tile mounting aid (for R2700) -
adds 1" (25 mm) to end valves.

- Two Handle Roman Tub Rough-In Kit
- Flexible Deck or Ledge Mount
- Conventional Rough-In Installation
- Three Hole Installation
- 16" (406 mm) Maximum Widespread
(without using additional tubing)

STANDARD SPECIFICATIONS

- Solid fabricated brass end valves.
- Three hole installation.
- 5/8" O.D. corrugated copper supply outlet tubes.
- Widespread 16" (406 mm) maximum centers without using additional tubing.
- Flexible deck or ledge mount installation.
- Control mechanism is a rotating cylinder type with stainless steel plate and 180° rotation.
- Hot and cold stems are interchangeable.
- Temperature and volume controlled with handles.
- Washerless.
- All operating parts shall be replaceable from the top.

◆ **NOTE: Trim kit must also be ordered to complete installation. Refer to separate trim kit specifications to determine the best rough-in kit and handle spacing for your situation. Spacing could be 8" - 16" (203 mm - 406 mm).**

WARRANTY

- Lifetime limited warranty on parts (other than electronic parts and batteries) and finishes: or, for commercial users, for 5 years from date of purchase.
- 5 year limited warranty on electronic parts (other than batteries); or, for commercial users, for 1 year from the date of purchase. No warranty is provided on batteries.

COMPLIES WITH:

- ASME A112.18.1 / CSA B125.1



55 E. 111th Street, Indianapolis, Indiana 46280
350 South Edgeware Road, St. Thomas, ON N5P 4L1
© 2015 Masco Corporation of Indiana

Delta reserves the right (1) to make changes in specifications and materials, and (2) to change or discontinue models, both without notice or obligation. Dimensions are for reference only. See current full-line price book or www.deltafaucet.com for finish options and product availability.